

BENDI B320 FWD

BATTERY ELECTRIC MULTI-PURPOSE ARTICULATED FORKLIFT TRUCK

Designed to give optimal aisle performance whilst retaining many of the features which have made the award winning Bendi the first choice in articulated forklift trucks, the B320 is capable of storing pallets in aisles as small as 1.6m offering great space savings over counterbalance and reach trucks. Bendi can achieve a storage density that exceeds that of a very narrow aisle (VNA) installation.

Standard Features:

- Battery electric
- 2000kg capacity
- 9m lift
- 1.6m aisle
- Dual inside / outside capability

Ergonomics & Safety

- Comfortable seating position with all truck functions to hand
- No 'deadman switch' required as rotation fully visible from drivers cab
- Four post overhead guard
- Full hydraulic power steering

Drivetrain

- Large soft tyres
- Regenerative braking
- Powerful 8kW AC drive motor
- 220° over rotating steering

Electrical System

- 48 volt high capacity battery
- Maintenance free AC control
- Battery and status monitoring display
- Provision for radio data terminals / RFID reader

Engineering

- Full backwards and forwards tilting mast
- Accepts all standard attachments
- Lifetime warranty on articulation unit
- Award winning chassis design
- Patented front wheel drive



TRANSLIFT

WWW.TRANSLIFT.CO.UK
SALES@TRANSLIFT.CO.UK
CALL US: 01527 527 411

TECHNICAL DATA BENDI B320 FWD

Model		B320		
Capacity		kg	2000	
Load centre		mm	500	
Power source			Traction Battery	
Unladen weight including battery		kg	7800	
Sideshift			Integral	
Travel speed (adjustable)		Laden / Unladen	kph	11/12
Lift Speed		Laden / Unladen	m/s	0.4/0.5
Lower speed		Laden / Unladen	m/s	0.5/0.3
Tilt range		Fore/Rear	°	1/3
Overhead guard height	g		mm	2250
Seat height	f		mm	1220
Cab floor height	e		mm	700
Minimum ground clearance	d		mm	60
Lost load centre	a		mm	270
Overall length to face of forks	c		mm	2700
Wheelbase	b		mm	1840
Chassis width	h		mm	1340
Maximum gradient			%	15
Rotation angle			°	220
Combined Lift and power steer motor rating			kW	8
Drive motor rating - AC			kW	8
Wheel size		Front / Rear	mm	406 x 180 / 460 x 185
Battery type, standard		720	Ah	8PZSH720
Minimum battery weight			kg	1050
Control type				AC



MAST DIMENSIONS

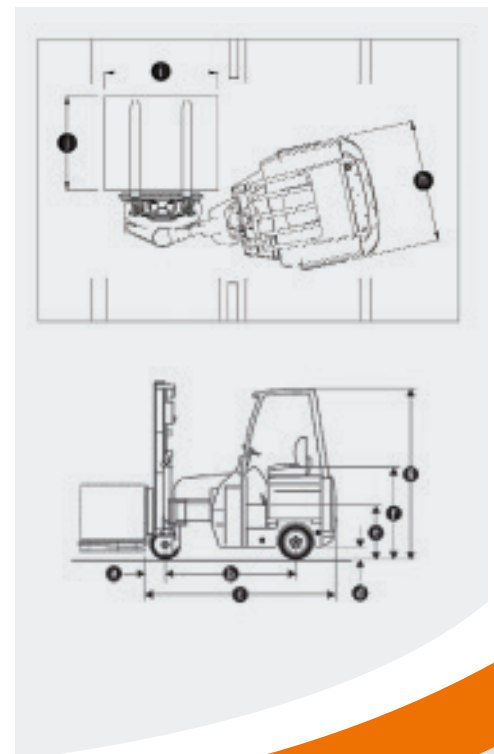
Standard triple full free lift mast

Lift Height	Free Lift	Closed Height	Extended Height	Lift Height
5000 mm	1750 mm	2599 mm	5849 mm	5000 mm
6000 mm	2117 mm	2966 mm	6849 mm	6000 mm
7150 mm	2500 mm	3349 mm	7999 mm	7150 mm
8200 mm	3083 mm	3932 mm	9049 mm	8200 mm
9000 mm	3350 mm	4199 mm	9849 mm	9000 mm

All heights are stated without load backrest, if fitted

AISLE DIMENSIONS

Load Depth x Width (j x i)	Minimum Clear Aisle
1000mm D x 1200mm W	1600 mm
1200mm D x 1000mm W	1800 mm
1200mm D x 800mm W	1800 mm
Minimum clear transfer aisle	2700 mm
Minimum end aisle clearance	750 mm



TRANSLIFT

WWW.TRANSLIFT.CO.UK
SALES@TRANSLIFT.CO.UK
CALL US: 01527 527 411

BENDI B320 FWD TECHNICAL DATA